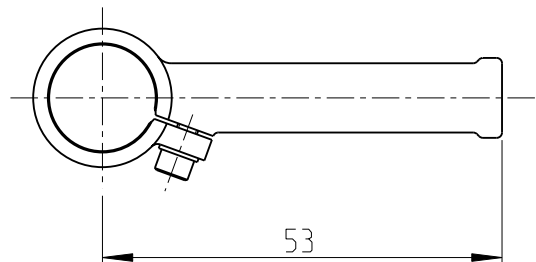
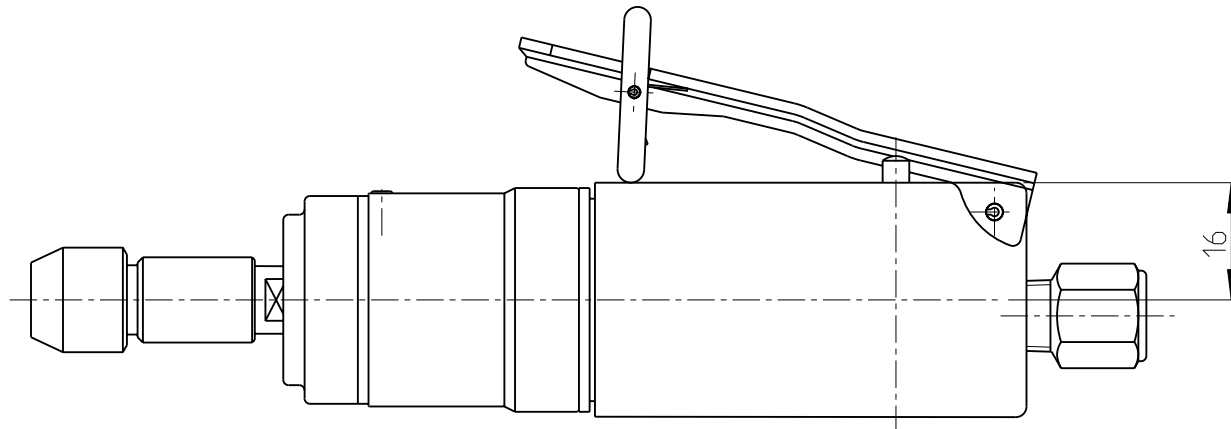


6mm or 1/4"



Atlas Copco

Date	Scale	Ordering No.	Model
	7:60	8423 0312 20	G2440